

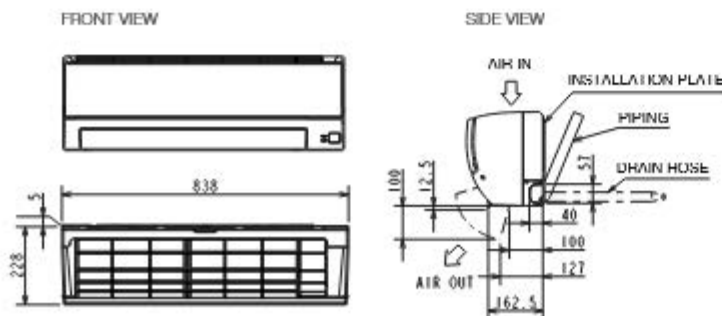
R32



MSZ-HR INDOOR UNITS		MSZ-HR25VF	MSZ-HR35VF	MSZ-HR50VF	MSZ-HR60VF	MSZ-HR71VF
CAPACITY (kW)	Heating (nominal)	3.15 (0.7-3.5)	3.6 (0.9-3.7)	5.4 (1.4-6.5)	6.8 (1.5-9.0)	8.1 (1.5-9.0)
	Cooling (nominal)	2.5 (0.5-2.9)	3.4 (0.9-3.4)	5.0 (1.3-5.0)	6.1 (1.7-7.4)	7.1 (1.8-7.4)
	Heating (UK)	2.61 (0.6-2.9)	2.99 (0.75-3.1)	4.48 (1.16-5.39)	5.64 (1.25-7.47)	6.72 (1.25-7.47)
	Cooling (UK)	2.48 (0.5-2.8)	3.37 (0.89-3.4)	4.96 (1.29-4.96)	5.98 (1.67-7.25)	6.96 (1.76-7.25)
SHF (nominal)		0.78	0.78	0.73	0.79	0.74
COP / EER (nominal)		3.71 / 3.13	3.69 / 2.81	3.48 / 2.44	3.76 / 3.37	3.32 / 3.05
SCOP / SEER (BS EN14825)		4.30 / 6.20	4.30 / 6.20	4.30 / 6.50	4.50 / 7.20	4.30 / 7.00
ErP ENERGY EFFICIENCY CLASS	Heating/Cooling	A+ / A++		A+ / A++		A+ / A++
AIRFLOW (l/s)	Heating/Cooling - SL0-Lo-MH-HI-SH	55-90-123-168/60-90-120-162	55-90-123-175/60-93-130-195	102-138-187-242/107-153-187-218	178-218-278-327/173-210-257-327	178-218-278-327/173-210-257-327
PIPE SIZE mm (in)	Gas	9.52 (3/8")		9.52 (3/8")		12.7 (1/2")
	Liquid	6.35 (1/4")		6.35 (1/4")		6.35 (1/4")
SOUND PRESSURE LEVEL (dBA)	Heating/Cooling - SL0-Lo-MH-HI-SH	21-30-37-43 / 21-30-37-43	21-30-37-44 / 22-31-38-46	27-34-41-47 / 28-36-40-45	33-38-44-50 / 33-38-44-50	33-38-44-50 / 33-38-44-50
SOUND POWER LEVEL (dBA)		57	60	60	65	65
DIMENSIONS (mm)	Width x Depth x Height	838 x 228 x 280		838 x 228 x 280		923 x 263 x 305
WEIGHT (kg)		8.5		9		12.5
ELECTRICAL SUPPLY		Fed by Outdoor Unit		Fed by Outdoor Unit		Fed by Outdoor Unit
FUSE RATING (BS88) - HRC (A)		6		6		6
INTERCONNECTING CABLE No. CORES		4		4		4

MUZ-HR OUTDOOR UNITS		MUZ-HR25VF	MUZ-HR35VF	MUZ-HR50VF	MUZ-HR60VF	MUZ-HR71VF
SOUND PRESSURE LEVEL (dBA)	Heating/Cooling	50 / 50	51 / 51	51 / 50	57 / 53	57 / 53
SOUND POWER LEVEL (dBA)	Cooling	63	64	64	65	66
WEIGHT (kg)		23	24	35	40	40
DIMENSIONS (mm)	Width x Depth x Height	699 x 249 x 538		800 x 285 x 550		800 x 285 x 714
ELECTRICAL SUPPLY		220-240v, 50Hz		220-240v, 50Hz		220-240v, 50Hz
PHASE		Single		Single		Single
SYSTEM POWER INPUT (kW)	Heating/Cooling (nominal)	0.85 / 0.80	0.98 / 1.21	1.55 / 2.05	1.81 / 1.81	2.44 / 2.33
	Heating/Cooling (UK)	0.77 / 0.63	0.89 / 0.96	1.40 / 1.62	1.63 / 1.52	2.20 / 1.96
STARTING CURRENT (A)		4.1	5.9	9.0	8.0	10.8
SYSTEM RUNNING CURRENT (A)	Heating/Cooling (MAX)	4.1 / 3.8 [4.8]	4.6 / 5.9 [6.4]	6.9 / 9.0 [9.6]	8.0 / 8.0 [14.1]	11.8 / 10.3 [14.1]
FUSE RATING (BS88) - HRC (A)		10	10	16	16	16
MAINS CABLE No. CORES		3	3	3	3	3
MAX PIPE LENGTH (m)		20	20	20	20	20
MAX HEIGHT DIFFERENCE (m)		12	12	12	12	12
CHARGE REFRIGERANT (kg) / CO ₂ EQUIVALENT (g) - R32 (GWP 675) - 7m		0.40 / 0.27	0.45 / 0.30	0.80 / 0.54	1.05 / 0.71	1.05 / 0.71
MAX ADDITIONAL REFRIGERANT (kg) / CO ₂ EQUIVALENT (g) - R32 (GWP 675)		0.26 / 0.18	0.26 / 0.18	0.26 / 0.18	0.46 / 0.32	0.46 / 0.32

MSZ-HR25/35/50VF DIMENSIONS



MSZ-HR60/71VF DIMENSIONS

